

FLOWLINE II™ Single Bag Filter Housing



One-piece body construction is the easy and economical choice for single bag filter housing applications

Eaton's FLOWLINE II single bag filter housing offers the most cost-effective solution to single bag filter housing requirements.

This single bag filter housing features a unique one-piece body design that eliminates the traditional body-to-bottom cap circumferential weld. Units come standard with filter bag size 01 or 02 stainless steel restrainer baskets.

Features

- Side inlet with evacuation cover prevents spillage of unfiltered liquid, allowing for clean and easy filter bag change-outs
- Easy open cover features integral handle, 1/4" vent and gauge ports and "no tools" eye-bolt closures
- 316 stainless steel support basket

- Adjustable mounting legs for simplified installation
- Kynar® compression ring provides an advanced, long-term solution for securing the filter media and support basket into the enclosure
- Buna-N® O-ring seals for cover and basket
- Bead-blast, external finish is standard for stainless steel construction. Shop paint is standard for carbon steel construction

Options

- Available in 304 or 316 stainless steel for high corrosion resistance or carbon steel
- Available in three configurations: side in and bottom out; side in and side out on opposite sides for in-line piping; or side in and side out on the same side for loop design layouts or duplexing
- End connection options include 2" NPT or 2" 150# RF flanged. The size 02 unit is also available with 3" 150# RF flanges in the side in/side out and loop configuration as well as bottom out configuration

Available in the US only.
Kynar® is a registered trademark of Arkema Inc.

EATON

Powering Business Worldwide



Unique, internal body-to-basket O-ring seal prevents bypass and is easy to maintain

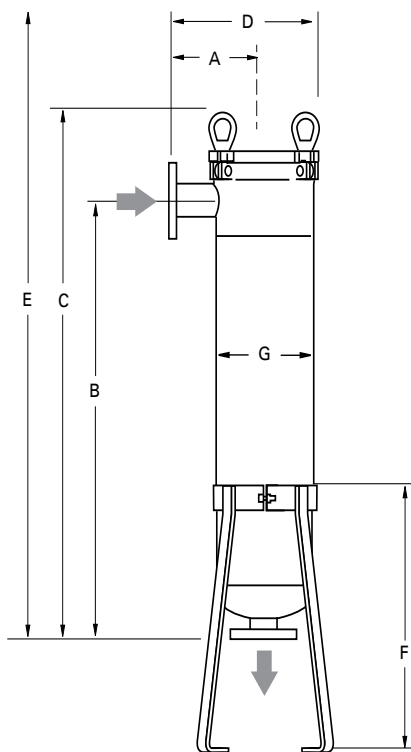
FLOWLINE II Single Bag Filter Housing

Applications

Coarse filtration > 500 µm ✓
 Medium filtration > 10 µm
 Fine filtration < 10 µm

Pre-filtration ✓
 Safety filtration
 High volume
 Batch filtration ✓
 Circuit filtration
 Continuous filtration

Solvents, paints
 Fats and oils
 Catalyst, activated carbon
 Acids, bases
 Petrochemicals
 Water, waste water ✓
 Chemical industry
 Pharmaceuticals
 Metal cleaning ✓
 Automotive
 Electronics
 Food and beverage
 Paint and lacquer
 Water treatment ✓
 Galvanic industry



Dimensions - inch (mm)

Models	A	B	C	D	E	F	G
SBL101_020N	4.80 (122)	18.39 (467)	25.25 (641)	9.88 (251)	35.55 (903)	19.10 (485)	7.68 (195)
SBL102_020N	4.80 (122)	33.55 (852)	40.41 (1,026)	9.88 (251)	66.50 (1,689)	19.10 (485)	7.68 (195)
SBL101_020A	6.84 (174)	19.67 (500)	26.54 (674)	11.92 (303)	34.44 (875)	19.10 (485)	7.68 (195)
SBL102_020A	6.84 (174)	34.83 (885)	41.70 (1,059)	11.92 (303)	67.52 (1,715)	19.10 (485)	7.68 (195)
SBL102_030A	7.98 (180)	35.30 (897)	41.93 (1,065)	12.15 (309)	68.31 (1,735)	19.10 (485)	7.68 (195)

Dimensions for reference only and approximate. Exact dimensions for installation purposes available on request.
 Metric measures represent comparable products produced for EMEA and may not be an exact conversion from inches.

Technical data

Models	No. of filter bags	Size	Flow rate ¹ GPM (m³/h)	Max. pressure psi (bar)	Max. temp. °F (°C)	Housing volume gal (l)	Housing weight lb (kg)	I/O connections
SBL101_020N	1	01	88 (20)	150 (10)	250 (120)	4 (15.5)	37 (16.8)	2" thread
SBL102_020N	1	02	176 (40)	150 (10)	250 (120)	7 (27.0)	50 (22.7)	2" thread
SBL101_020A	1	01	88 (20)	150 (10)	250 (120)	4 (15.5)	37 (16.8)	2" flange
SBL102_020A	1	02	176 (40)	150 (10)	250 (120)	7 (27.0)	50 (22.7)	2" flange
SBL102_030A	1	02	176 (40)	150 (10)	250 (120)	7 (27.0)	69 (31.4)	3" flange

¹ Maximum theoretical flow based on water viscosity, filter bag specific.

North America
 44 Apple Street
 Tinton Falls, NJ 07724
 Toll Free: 800 656-3344
 (North America only)
 Tel: +1 732 212-4700

Europe/Africa/Middle East
 Auf der Heide 2
 53947 Nettersheim, Germany
 Tel: +49 2486 809-0

Internormen Product Line
 Friedensstraße 41
 68804 Altludersheim, Germany
 Tel: +49 6205 2094-0

Begerow Product Line
 An den Nahewiesen 24
 55450 Langenlonsheim, Germany
 Tel: +49 6704 204-0

China
 No. 3, Lane 280,
 Linhong Road
 Changning District, 200335
 Shanghai, P.R. China
 Tel: +86 21 5200-0099

Singapore
 4 Loyang Lane #04-01/02
 Singapore 508914
 Tel: +65 6825-1668

Brazil
 Av. Julia Gaioli, 474 – Bonsucesso
 07251-500 – Guarulhos, Brazil
 Tel: +55 11 2465-8822

For more information, please
 email us at filtration@eaton.com
 or visit www.eaton.com/filtration

© 2014 Eaton. All rights reserved. All trademarks and registered trademarks are the property of their respective owners. All information and recommendations appearing in this brochure concerning the use of products described herein are based on tests believed to be reliable. However, it is the user's responsibility to determine the suitability for his own use of such products. Since the actual use by others is beyond our control, no guarantee, expressed or implied, is made by Eaton as to the effects of such use or the results to be obtained. Eaton assumes no liability arising out of the use by others of such products. Nor is the information herein to be construed as absolutely complete, since additional information may be necessary or desirable when particular or exceptional conditions or circumstances exist or because of applicable laws or government regulations.

US
 EF-FBH-13
 10-2014